



BASEMENT WINDOW SYSTEMS

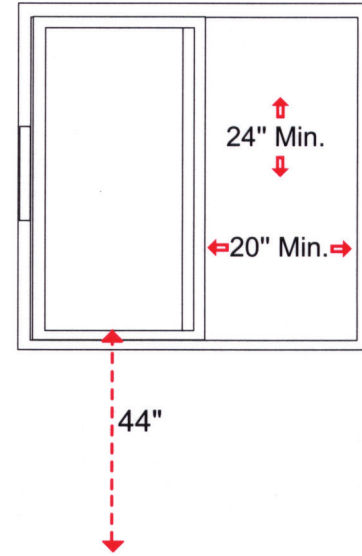
Egress / IRC 2006 Section

To download instructions for later viewing, go to the File Menu, then Save As... and save to desired location.

Welcome to the Egress / IRC 2006 Section

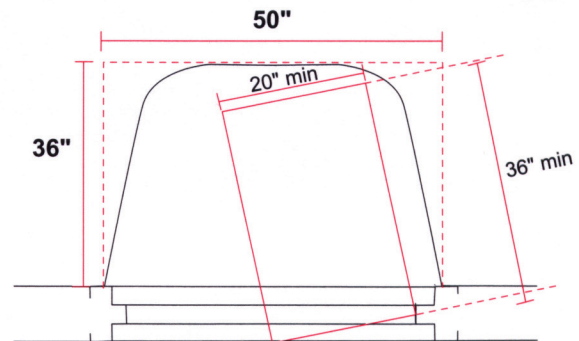
In order to meet IRC 2006 Egress Code, the window must not be more than 44" up from the ground.

The window opening must be at least 20" wide and at least 24" high, with a net clear area of 5.7 sq. ft. The Boman Kemp 4040 window meets and exceeds egress code with a net clear area of 7.027 sq. ft.



IRC 2006 requires the area inside the area well to be a minimum net clear area of 9 sq. ft.

The Boman Kemp 4040 window meets and exceeds code with a net clear area of 10.287 sq. ft.



See IRC 2006 Egress Code on next page.

IRC 2006

(International Residential Code)

SECTION R310

EMERGENCY ESCAPE AND RESCUE OPENINGS

R310.1 Emergency escape and rescue required.

Basements with habitable space and every sleeping room shall have at least one able to open emergency escape and rescue opening. Where basements contain one or more sleeping rooms, emergency egress and rescue opening shall be required in each sleeping room, but shall not be required in adjoining areas of the basement. Where emergency escape and rescue openings are provided they shall have a sill height of not more than 44 inches (1118 cm) above the floor. Where a door opening having a threshold below the adjacent ground elevation serves as an emergency escape and rescue opening and is provided with a bulkhead enclosure, the bulkhead enclosure shall comply with Section 310.3. The net clear opening dimensions required by this section shall be obtained by the normal operation of the emergency escape and rescue opening from the inside. Emergency escape and rescue opening with a finished sill height below the adjacent ground elevation shall be provided with a window well in accordance with Section R310.2.

R310.1.1 Minimum opening area.

All emergency escape and rescue openings shall have a minimum net clear opening of 5.7 square feet (0.530 m²).

Exception: Grade floor openings shall have a minimum net clear opening of 5 square feet (0.465 m²).

R310.1.2 Minimum opening height.

The minimum net clear opening height shall be 24 inches (610 mm).

R310.1.3 Minimum opening width.

The minimum net clear opening width shall be 20 inches (508 mm).

R310.1.4 Operational constraints.

Emergency escape and rescue openings shall be operational from the inside of the room without the use of keys or tools.

R310.2 Window wells.

The minimum horizontal area of the window well shall be 9 square feet (0.84 m²), with a minimum horizontal projection and width of 36 inches (914 mm). The area of the window well shall allow the emergency escape and rescue opening to be fully opened.

Exception: The ladder or steps required by Section R310.2.1 shall be permitted to encroach a maximum of 6 inches (152mm) into the required dimensions of the window well.

R310.2.1 Ladder and steps.

Window wells with a vertical depth greater than 44 inches (1118 mm) shall be equipped with a permanently affixed ladder or steps usable with the window in the fully open position. Ladders or steps required by this section shall not be required to comply with Sections R311.5 and R311.6. Ladders or rungs shall have an inside width of at least 12 inches (305 mm), shall project at least 3 inches (76 mm) from the wall and shall be spaced not more than 18 inches (457 mm) on center vertically for the full height of the window well.

R310.3 Bulkhead enclosures.

Bulkhead enclosures shall provide indirect access to the basement. The bulkhead enclosure with the door panels in the fully open position shall provide the minimum net clear opening required by Section R310.1.1. Bulkhead enclosures shall also comply with Section R311.5.8.2.

R310.4 Bars, grills, covers and screens.

Bars, grills, covers, and screens or similar devices are permitted to be placed over emergency escape and rescue openings, bulkhead enclosures, or window wells that serve such openings, provided the minimum net clear opening size complies with Sections R310.1.1 to R310.1.3, and such devices shall be releasable or removable from the inside without the use of a key, tool or force greater than that which is required for normal operations of the escape and rescue opening.